



# DATA SHEET

## SD820YT~SD8100YT

**SURFACE MOUNT SCHOTTKY BARRIER RECTIFIERS**  
**VOLTAGE 20 to 100 Volts CURRENT - 8 Ampere**

TO-251AB

Unit: inch ( mm )

### FEATURES

- Plastic package has Underwriters Laboratory Flammability Classification 94V-O
- For surface mounted applications
- Low profile package
- Built-in strain relief
- Low power loss, High efficiency
- High surge capacity
- For use in low voltage high frequency inverters, free wheeling, and polarity protection applications
- High temperature soldering guaranteed: 260°CXC/10 seconds at terminals

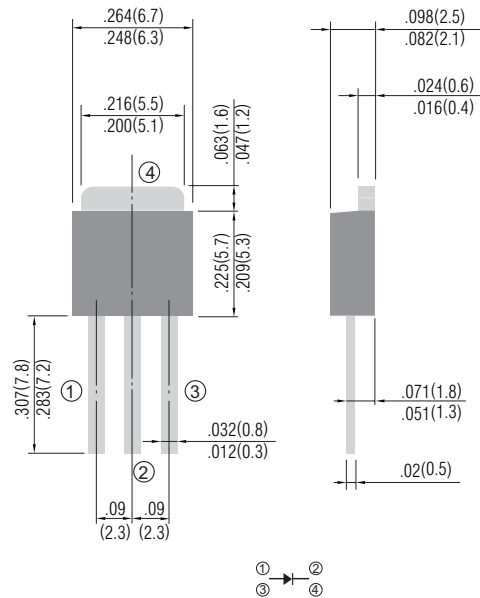
### MECHANICAL DATA

Case: TO-251AB molded plastic

Terminals: Solder plated, solderable per MIL-STD-750, Method 2026

Polarity: As marking

Weight: 0.015 ounces, 0.4grams.



### MAXIMUM RATINGS AND ELECTRICAL CHARACTERISTICS

Ratings at 25°C ambient temperature unless otherwise specified.

Single phase, half wave, 60 Hz, resistive or inductive load.

For capacitive load, derate current by 20%

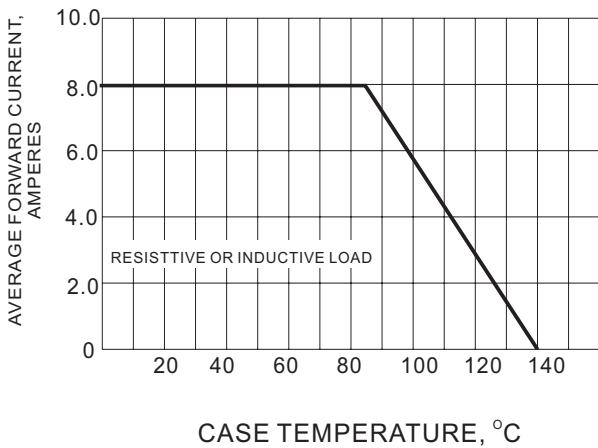
	SD820YT	SD830YT	SD840YT	SD860YT	SD880YT	SD8100YT	UNITS
Maximum Recurrent Peak Reverse Voltage	20	30	40	60	80	100	V
Maximum RMS Voltage	14	21	28	42	56	70	V
Maximum DC Blocking Voltage	20	30	40	60	80	100	V
Maximum Average Forward Rectified Current at Tc=85°C	8						A
Peak Forward Surge Current, 8.3 ms single half sine-wave superimposed on rated load (JEDEC method)	85						A
Maximum Instantaneous Forward Voltage at 8.0A (Note 1)	0.55		0.75		0.85		V
Maximum DC Reverse Current at Tc=25°C	0.2						mA
DC Blocking Voltage per element Tc=100°C	20						
Maximum Thermal Resistance (Note 2)	80						°C/W
Operating and Storage Temperature Range	-55 to +125						°C
Storage Temperature Range	-65 to +150						°C

### NOTES:

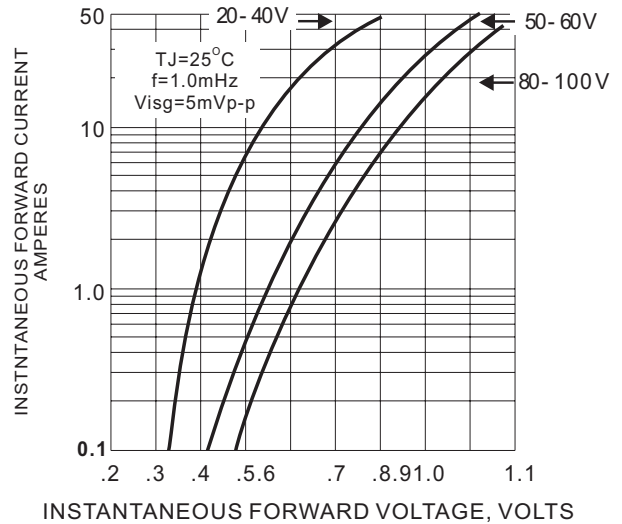
1. Thermal Resistance Junction to Ambient .



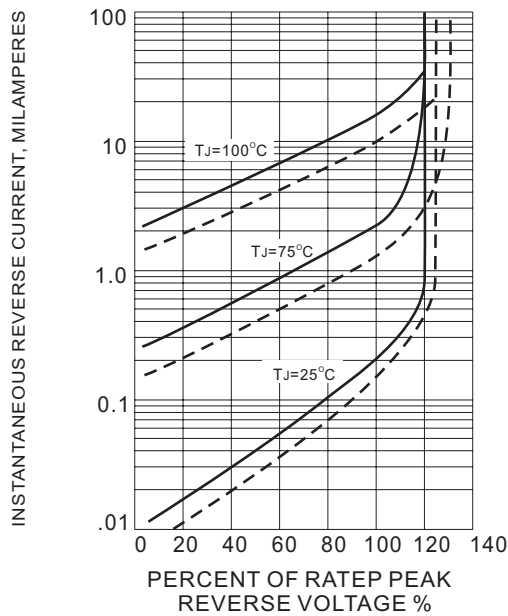
### RATING AND CHARACTERISTIC CURVES



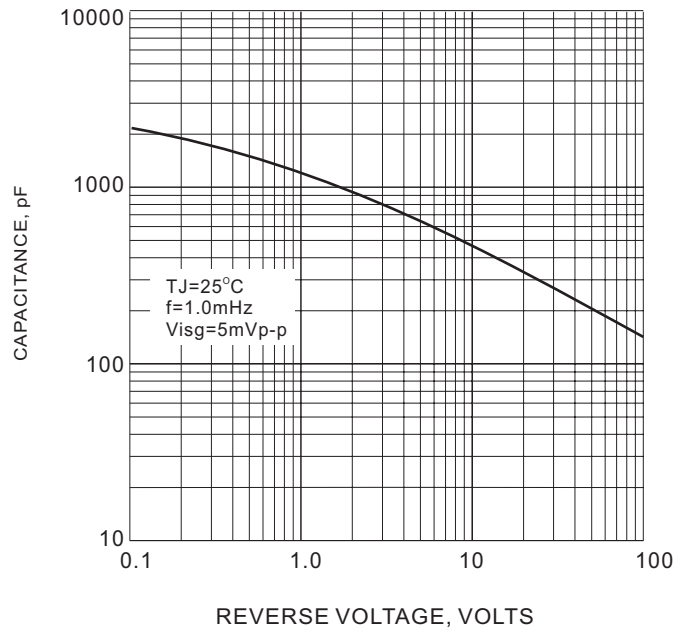
**Fig.1- FORWARD CURRENT DERATING CURVE**



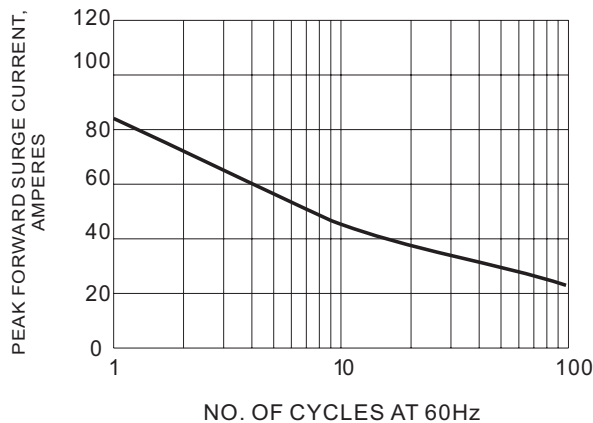
**Fig.2- TYPICAL INSTANTANEOUS FORWARD CHARACTERISTIC**



**Fig.3- TYPICAL REVERSE CHARACTERISTICS**



**Fig.4- TYPICAL JUNCTION CAPACITANCE**



**Fig.5- MAXIMUM NON-REPETITIVE SURGE CURRENT**